

Sept. 6, 1949.

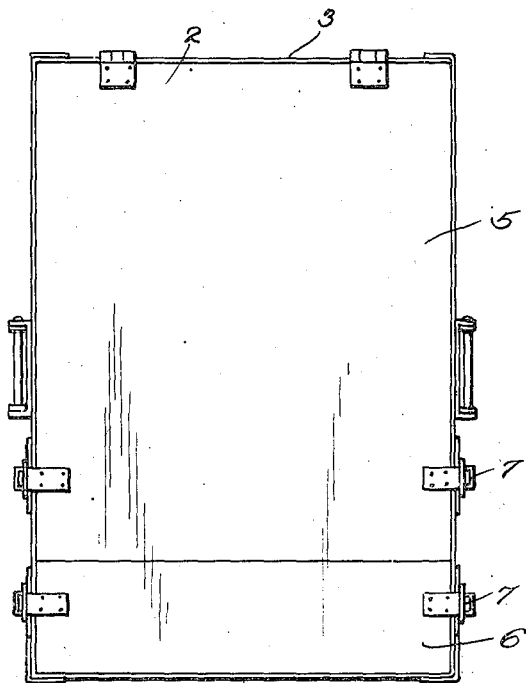
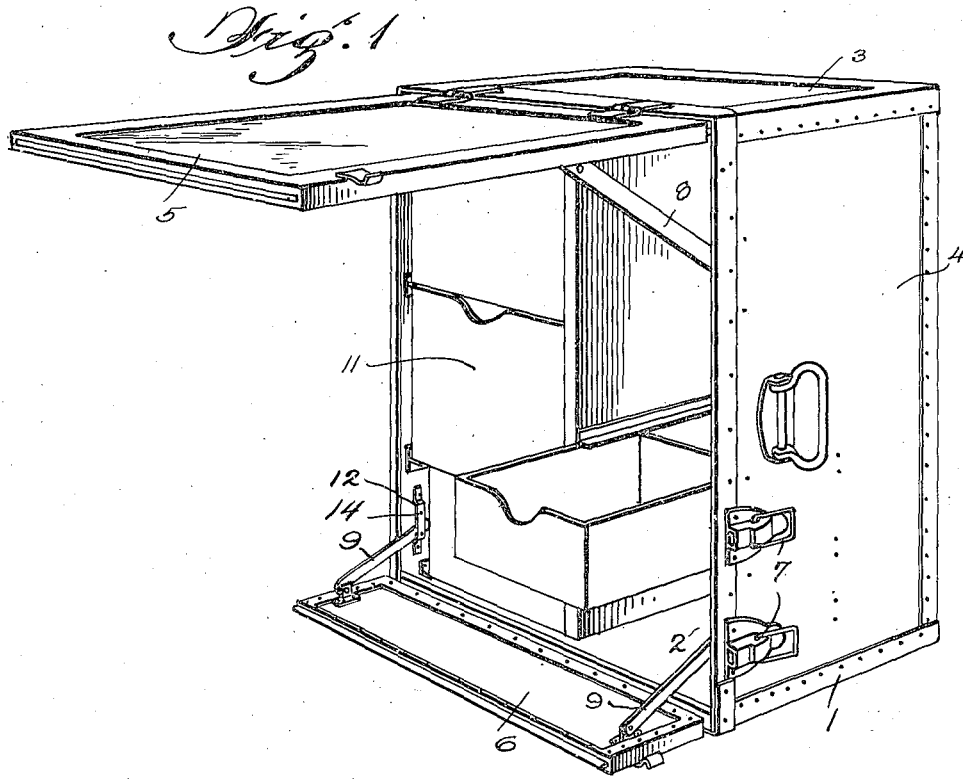
F. T. PADEN

2,480,876

INVERTIBLE FIELD DESK AND FILE CABINET

Filed March 20, 1945

2 Sheets-Sheet 1



*Fig. 2*

INVENTOR.  
F. T. Paden  
BY  
*William F. Raymond*  
ATTORNEY

Sept. 6, 1949.

F. T. PADEN

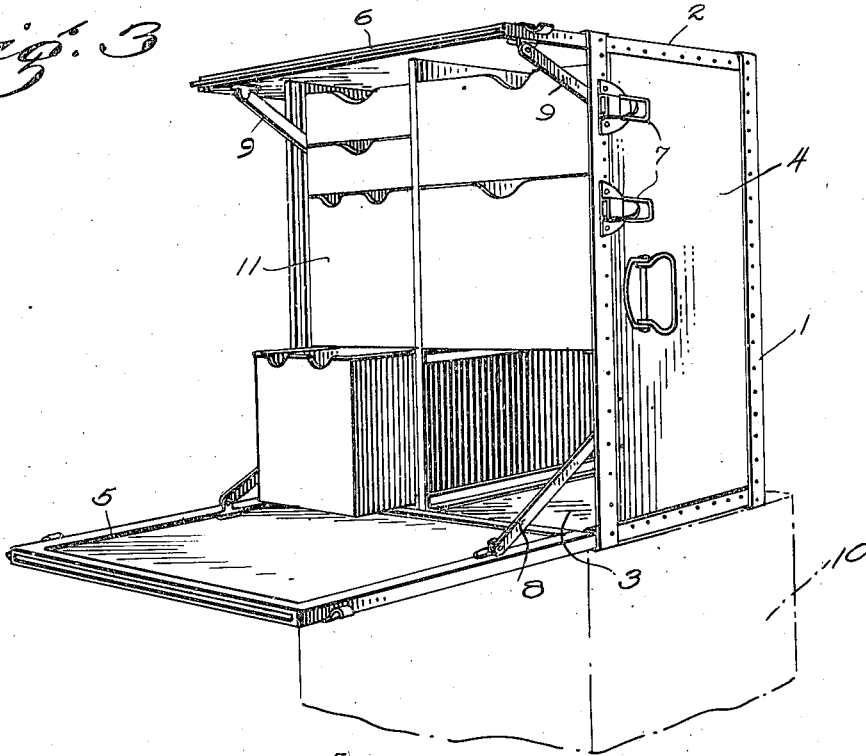
2,480,876

INVERTIBLE FIELD DESK AND FILE CABINET

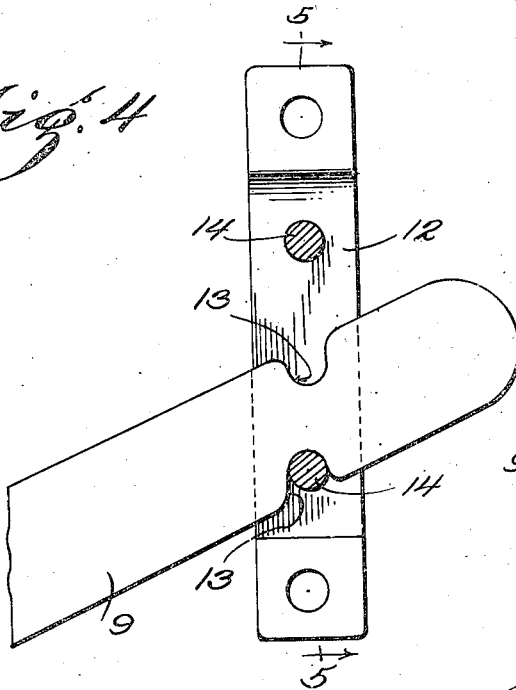
Filed March 20, 1945

2 Sheets-Sheet 2

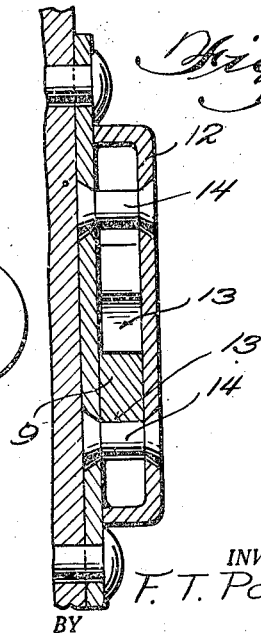
*Fig. 3*



*Fig. 4*



*Fig. 5*



INVENTOR.  
F. T. Paden  
BY

*William F. Diamond*  
ATTORNEY

# UNITED STATES PATENT OFFICE

2,480,876

## INVERTIBLE FIELD DESK AND FILE CABINET

Frederick T. Paden, United States Army,  
Collingswood, N. J.

Application March 20, 1945, Serial No. 583,832

3 Claims. (Cl. 45--69)

(Granted under the act of March 3, 1883, as  
amended April 30, 1928; 370 O. G. 757)

1

The invention described herein, if patented may be manufactured and used by or for the Government for governmental purposes, without the payment to me of any royalty thereon.

The present invention relates to a combined field desk and file cabinet, and has for its primary object to provide a file cabinet in the form of a trunk which may be readily converted into a field desk for Army use.

A further object of the invention resides in the provision of a file cabinet and pivoted closure, the latter being provided with a releasable brace or bracket which is so constructed as to support the closure in right angular relationship to the cabinet body whether the latter is supported on one of its ends or the other.

Another object of the invention consists in providing a file cabinet having a two-part closure, one part to serve as a desk at the top of the cabinet and the other part adapted to serve as an extensible base portion to insure a firm foundation for the cabinet when set up for use in the field.

Other objects and advantages of the invention will be apparent from the following description when taken in connection with the accompanying drawings, in which,

Figure 1 is a perspective view of the combined field desk and filing cabinet set up for use, and supported on a floor or the like.

Figure 2 is a front elevational view of the cabinet in closed position ready for shipment.

Figure 3 is a perspective view of the cabinet in set-up position ready for use, but being in an inverted position from that shown in Figure 1 and mounted upon another cabinet, table or the like.

Figure 4 is an enlarged detailed view of one of the latches employed in the cabinet, and,

Figure 5 is a sectional view taken on lines 5--5 of Figure 4.

Referring to the drawings in more detail, the numeral 1 indicates the main body of the cabinet which is provided with a bottom 2, top 3, and sides 4, and is suitably reinforced in the manner of an ordinary trunk.

The front opening of the file cabinet is closed by closure members 5 and 6; the closure member 5 being relatively large so as to serve as a desk top, and closing the major portion of the front opening of the cabinet. The closure member 6 is relatively narrow and is hinged to the bottom portion 2 of the cabinet and is adapted to close the remainder of the front opening, and give added rigidity on the floor.

2

The closure members 5 and 6 when in position to close the front opening of the file cabinet may be locked by the elements 7 such as are employed in securing the closures of conventional trunks. When the closure members 5 and 6 are moved to horizontal position as indicated in Figure 1 so as to provide a field desk, they are supported by means of latches or brackets 8 and 9 respectively. The closure member 6 serves as an extensible base in the arrangement shown in Figure 1 and provides increased stability for the cabinet and desk top 5 when the latter may be serving as a support for a typewriter or other materials ordinarily placed upon desks.

In Figure 1 the combined cabinet and desk is shown as supported on the ground, whereas in Figure 3 the cabinet is shown in inverted position and mounted upon another cabinet or table 10. The interior of the filing cabinet is provided with a plurality of ledges to slidably support containers or drawers 11 of various shapes and sizes and the lower drawer (Fig. 3) may be used as a stool by one intending to use the cabinet as a desk. When the cabinet is inverted from one position to another, as illustrated in connection with Figures 1 and 3, it will be apparent that the various drawers 11 will first be withdrawn and then reinserted after the cabinet has been placed in its new position.

In order that the combined closure member and desk top may be supported in horizontal position when the cabinet is in either of the two positions heretofore mentioned, the latches or brackets 8 and 9 cooperate with what may be termed double keepers 12 and the latch bars are provided with oppositely disposed abutment means, such as notches 13 for that purpose. Each of the double keepers 12 consists of a body member or bracket and a pair of spaced pins 14 between which the latch bar 8 or 9 extends. This detailed construction is shown in enlarged form in Figures 4 and 5, and in its relation to the filing cabinet in Figure 1. From this disclosure it will be obvious that when the combined field desk and filing cabinet is set up for use as shown in Figure 1 the lower notch 13 of the latch member 9 will engage over the lower pin 14 of the double keeper, and thereby support the closure member 6 in rigid relation to the bottom 2 of the cabinet. Likewise, in Figure 1 the latches 8 will be positioned with their lower notches 13 engaging over the lower pins 14 of their respective keepers. In the arrangement shown in Figure 3 wherein the file cabinet is supported on an artificial base 55 such as the table 10 or the like, the opposite side

of the closure member 5, will be used as the desk top and in this arrangement the opposite notches 13 of the latch members 8 and 9 would be employed with the other pins 14 of the double keepers for supporting the desk top and the smaller closure member 5 in their horizontal positions.

From the foregoing description considered in connection with the accompanying drawings it will be apparent to those skilled in the art that I have devised a relatively simple arrangement of combined filing cabinet and field desk which is suitable for the filing and transportation of papers, etc., and which either may be set up as a field desk directly upon the ground, or may be inverted and mounted upon a table or another cabinet, and thus set up as an elevated desk by the mere reversal of the operation of the latch members 8 and 9 with respect to their double keepers 12—14.

In accordance with the patent statutes I have described, what I now consider to be the preferred form of construction, but it is obvious that various minor changes may be made in structural details without in any way departing from the disclosed function of the invention, and it is intended that all such details be included within the scope of the appended claims.

What is claimed is:

1. A combined file cabinet and field desk comprising a body portion having a top, bottom and sides and an open front, a combined closure member and desk panel hinged to the top of the body portion so as to be swingable between closure forming and desk forming positions, and a pivoted latch for supporting the desk panel in horizontal desk forming position when the body rests upon either its bottom or top, said latch comprising a bar, keeper means slidably confining said bar, and oppositely disposed abutment means on said bar alternately and selectively engaging said keeper means, whereby one of said abutment means engages a portion of said keeper means to support said panel in desk forming position when the body portion rests upon its bottom, and the other of said abutment means engages another portion of said keeper means to support said panel in desk forming position when the body portion rests upon its top.

2. A combined file cabinet and field desk comprising a body portion having a top, bottom and sides and an open front, a combined closure member and desk panel hinged to the top of the body portion so as to be swingable between closure forming and desk forming positions, and a pivoted latch for supporting the desk panel in horizontal desk forming position when the body rests upon either its bottom or top, said latch comprising a bar provided with opposed notches, and a pair of spaced pins with which said notches selectively cooperate, whereby one notch engages

one pin to support said panel in desk forming position when the body rests upon its bottom, and the opposite notch engages the other pin to support said panel in desk forming position when the body rests upon its top.

3. A combined file cabinet and field desk comprising a body portion having a top, bottom and sides and an open front; a combined closure member and desk panel hinged to the top of the body portion so as to be swingable between closure forming and desk forming positions; a combined closure member and base panel hinged to the bottom of the body portion so as to be swingable between closure forming and base forming positions; said closure members completely covering the front of said body portion when said members are in closure forming position; a pivoted latch for supporting the desk panel in horizontal position when the body rests upon either its bottom or top, said latch comprising a bar provided with opposed notches, and a pair of spaced pins with which said notches cooperate, whereby one notch engages one pin to support said desk panel in desk forming position when the body rests upon its bottom, and the opposite notch engages the other pin to support said desk panel in desk forming position when the body rests upon its top; and a pivoted latch for supporting the base panel in horizontal position when the body rests upon either its bottom or top, said last-named latch comprising a bar with opposed notches, and a pair of spaced pins with which said notches cooperate whereby one notch engages one pin to support said base panel in base forming position when the body rests upon its bottom, and the opposite notch engages the other pin to support said last-named panel in horizontal position spaced from the ground when the body rests upon its top.

FREDERICK T. PADEN.

#### REFERENCES CITED

The following references are of record in the file of this patent:

#### UNITED STATES PATENTS

Number	Name	Date
592,159	Miller	Oct. 19, 1897
893,694	Allenson	July 21, 1908
1,186,995	Labadie et al.	June 13, 1916
1,349,634	Stern	Aug. 17, 1920
1,499,148	Bradford	June 24, 1924
1,655,884	Wood	Jan. 10, 1928
2,376,666	Crozier	May 22, 1945

#### FOREIGN PATENTS

Number	Country	Date
104,271	Great Britain	Mar. 1, 1917